

Building connections that last™



Series 169 & Series 169IG

Brass No Kink Hose Bibb, MIP
Threaded x Sweat & Male
Sweat/Female Sweat Datasheet



No Kink Hose Bibb, MIP
Threaded x Sweat
Series 169



Design Features

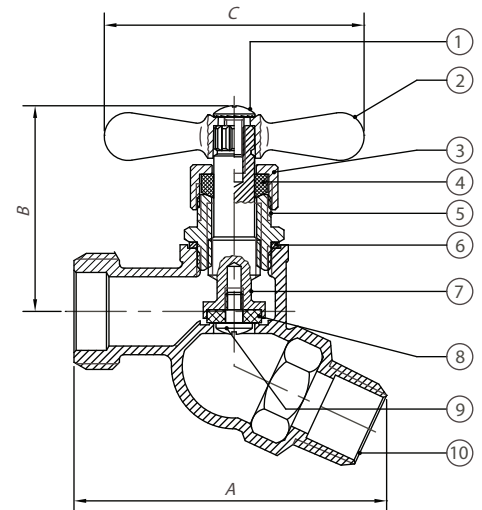
- 125 lb. CWP
- NPT x 3/4" NHT
- Cast brass
- Heavy duty configuration
- Green tee handle
- Certified to NSF/ANSI 61-8
- ISO 9001:2008 manufacturer

Note: Product contains brass which does not meet federal and state requirements for drinking water.

 **WARNING:** Cancer and Reproductive Harm - www.P65Warnings.ca.gov

Parts & Materials

No.	Part	Material
1	Wheel Nut	Hot Rolled SAE 1010R
2	T-Handle	Zinc
3	Packing Nut	Brass B16 C36000
4	Gland Packing	PTFE
5	Bonnet	Brass B16 C36000
6	Packing	Formocon FM090 CF500P
7	Stem	Brass B16 C36000
8	Seat Packing	NBR
9	Seat Screw	304 Stainless Steel
10	Body	Brass B584 C85700



Dimensions

Size	Part Number	Weight	A	B	C
In		Lb	In	In	In
1/2	0190169G	0.5	2.88	1.97	2.36
3/4	0190169I	0.5	2.97	1.97	2.36

Brass No Kink Hose Bibb,
Male Sweat/Female Sweat
Series 169IG



Design Features

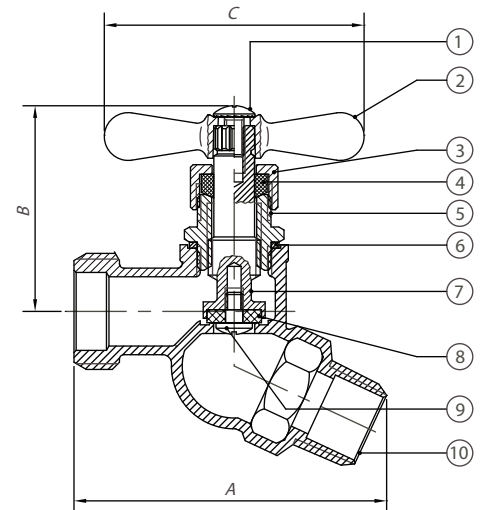
- 125 lb. CWP
- NPT x 3/4" NHT
- Cast brass
- Heavy duty configuration
- Green tee handle
- Certified to NSF/ANSI 61-8
- ISO 9001:2008 manufacturer

Note: Product contains brass which does not meet federal and state requirements for drinking water.

WARNING: Cancer and Reproductive Harm - www.P65Warnings.ca.gov

Parts & Materials

No.	Part	Material
1	Wheel Nut	Hot Rolled SAE 1010R
2	T-Handle	Zinc
3	Packing Nut	Brass B16 C36000
4	Gland Packing	PTFE
5	Bonnet	Brass B16 C36000
6	Packing	Formocon FM090 CF500P
7	Stem	Brass B16 C36000
8	Seat Packing	NBR
9	Seat Screw	304 Stainless Steel
10	Body	Brass B584 C85700



Dimensions

Size	Part Number	Weight	A	B	C
In		Lb	In	In	In
3/4 x 1/2	0190169IG	0.5	2.88	1.97	2.36

About ASC Engineered Solutions

ASC Engineered Solutions is defined by quality—in its products, services and support. With more than 1,400 employees, the company's portfolio of precision-engineered piping support, valves and connections provides products to more than 4,000 customers across industries, such as mechanical, industrial, fire protection, oil and gas, and commercial and residential construction. Its portfolio of leading brands includes ABZ Valve®, AFCON®, Anvil®, Anvil EPS, Anvil Services, Basic-PSA, Beck®, Catawissa, Cooplet®, FlexHead®, FPPI®, Golvlok®, J.B. Smith, Merit®, North Alabama Pipe, Quadrant®, SCI®, Sharpe®, SlideLOK®, SPF® and SprinkFLEX®. With headquarters in Commerce, CA, and Exeter, NH, ASC also has ISO 9001:2015 certified production facilities in PA, TN, IL, TX, AL, LA, KS, and RI.



asc-es.com

Building connections that last™

FC-DS-Series-169-169IG-v01 20211209

